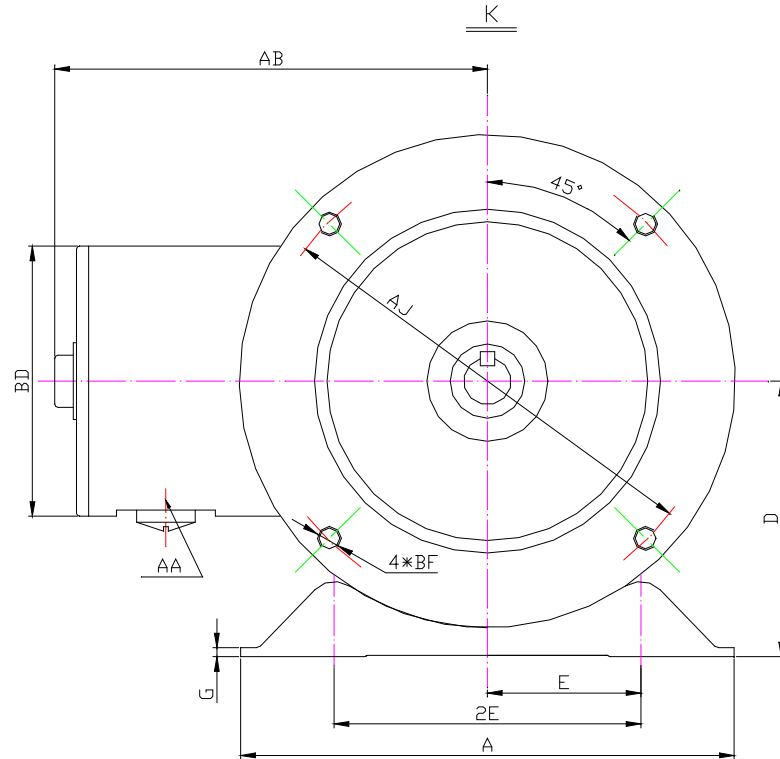
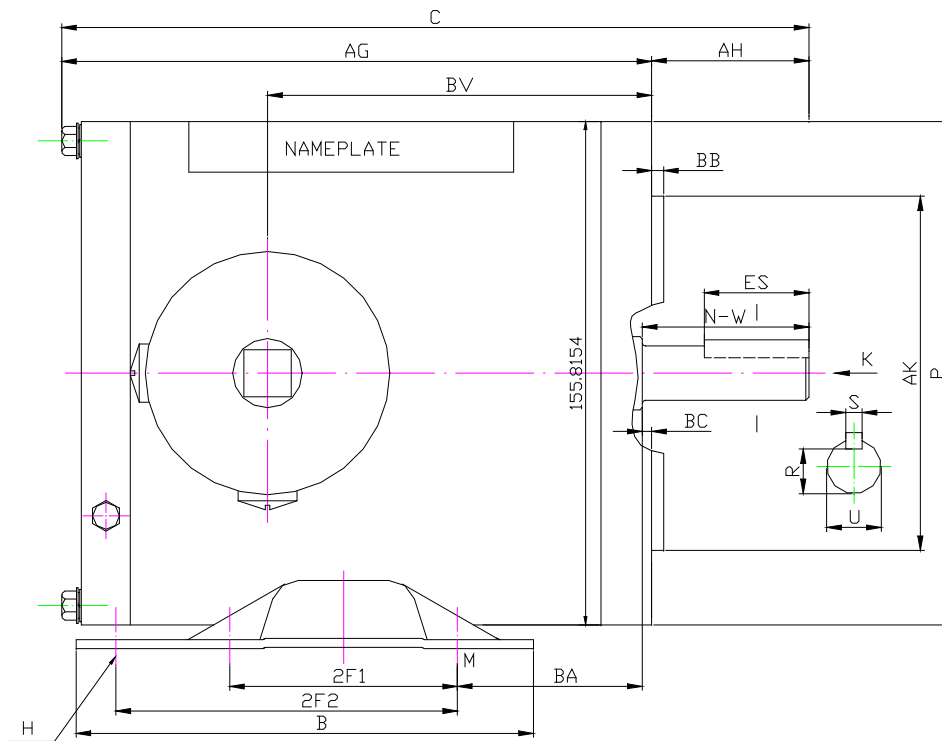


Orientation



										HP	RPM	Frame	WGT lb	MQS / MPS-122
A	B	C	D	G	H	E	2E	2F1	2F2	0.5	3600	56C	28,0	Stainless Steel 304, IP66
6.50"	5.00"	9.80"	3.50"	0.118"	1.22 * 0.34"	2.44"	4.88"	3.00"	0.00"					
P	AK	AJ	AH	AG	BA	BB	BC	BF						
6.50"	4.50"	5.875"	2.06"	7.74"	2.75"	0.16"	-0.19"	4 * 3/8-16"						
U	R	S	ES	NW	AA	AB	BD	BV	DE Brg	ODE Brg				
0.625"	0.517"	0.188"	1.41"	1.88"	1/2" NPT	5.55"	3.45"	4.75"	6205	6205	Revised: Oct. 2018			

